

# Service Bulletin HOLLAND® Fifth Wheel

## Release Handle Gap FW17 Series Fifth Wheel Top Plates

September 2018

### 1. Introduction

As the owner of a HOLLAND FW17 model fifth wheel, your satisfaction with your SAF-HOLLAND® product is very important to us.

This bulletin is intended to make users aware that some HOLLAND FW17 fifth wheels manufactured between January and June of 2018 may not operate as designed; they may not properly lock when attempting to couple the tractor to a trailer.

If your fifth wheel has this condition, when the trailer kingpin exits the top plate's locking mechanism, the fifth wheel's release handle remains on the top plate's unlock notch (**Figure 1**) and does not automatically move to the "Ready-to-Couple" position (**Figure 2**). Therefore, the fifth wheel will remain unlocked during the next coupling attempt.

An operator can easily detect this issue when performing the required visual inspection of the tractor trailer coupling. The operator will notice that the release handle is not fully retracted in the closed/locked position with the lock notch behind the rib as shown (**Figure 3**) and the hook is not engaged behind the lock (**Figure 4**).

Performing the required pull test as an initial check by locking the trailer brakes and pulling forward with the tractor will also detect if the fifth wheel is properly locked.

Figure 1

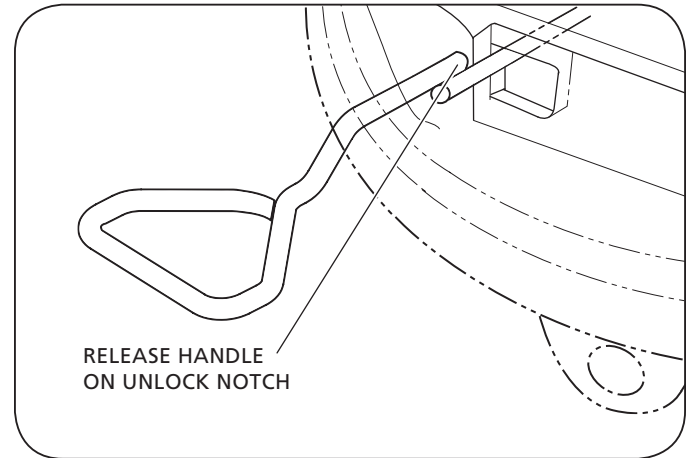


Figure 2

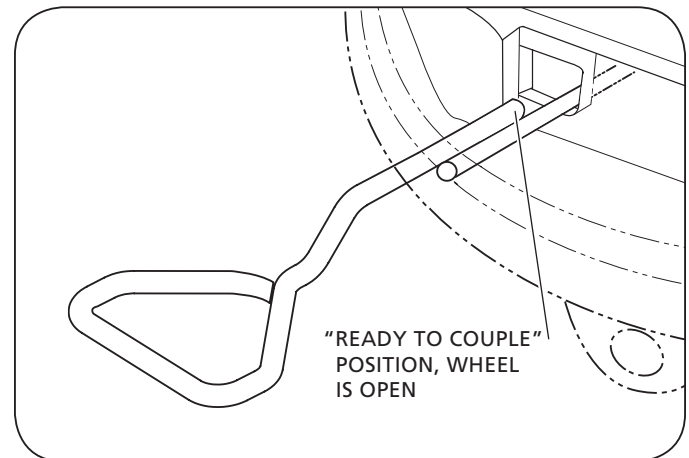


Figure 3

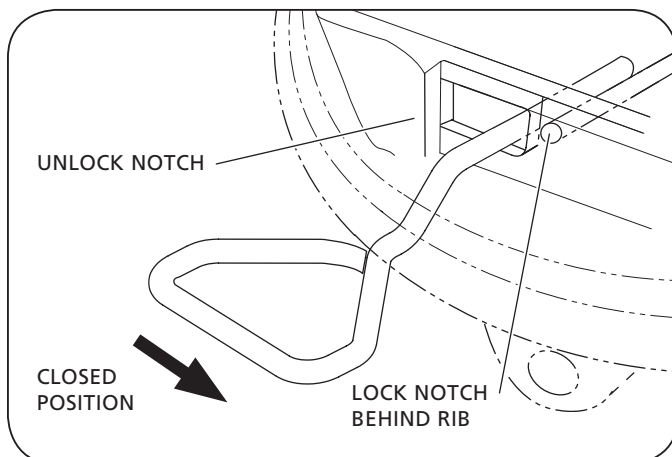
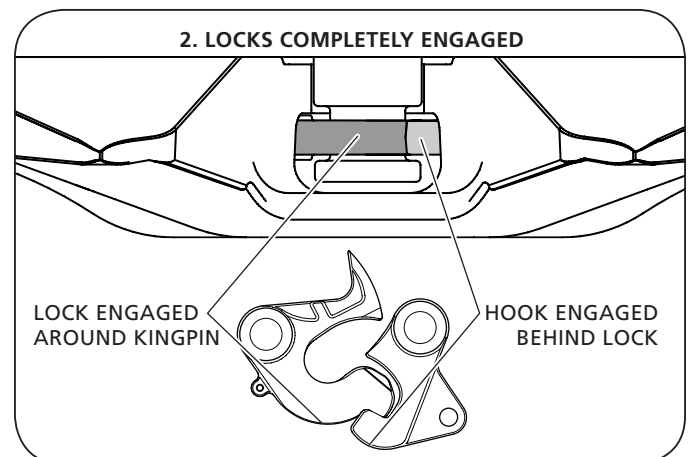


Figure 4



## 2. Identifying an Affected Unit

DO NOT take your vehicle to your dealer as a result of this bulletin unless you believe that your FW17 fifth wheel has the condition described.

**NOTE:** This issue only applies to manual release fifth wheels, air release fifth wheels are not affected.

If you have an FW17 model fifth wheel with serial numbers between 1418015XXXX and 1418171XXXX or between 9018015XXXX and 9018171XXXX, you can identify whether your fifth wheel is subject to this issue by inspecting the fifth wheel when uncoupled. There must be a minimum 1/8" (0.12") gap between the fifth wheel top plate release handle and the fifth wheel top plate casting using a 1/8" feeler gage (**Figure 5**).

Vehicles that have a gap equal to or greater than 1/8" (0.12") do not require repair and no further action is required.

If the release handle remains on the unlock notch (**Figure 1**) after uncoupling, or the gap is less than 1/8" (0.12"), the release handle needs to be replaced. Replace the release handle using Replacement Kit RK-171-11079-M. The standard SAF-HOLLAND warranty for the FW17 applies to these repairs.

## 3. Model Identification

Fifth wheel serial tags are located on the left side of the fifth wheel top plate above the fifth wheel bracket pin or on the pickup ramps as shown (**Figure 6**). The part number and serial number are listed on the tag as shown (**Figure 6**).

## 4. Further Instructions

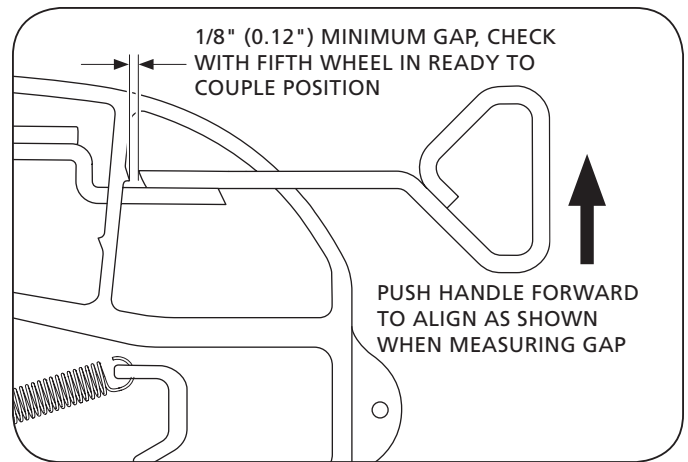
If the FW17 fifth wheel is in need of repair have your repair shop file a warranty claim by contacting SAF-HOLLAND Service and Warranty at 1-800-767-6967. The SAF-HOLLAND Service Report can be found on our website:

[www.safholland.us](http://www.safholland.us)

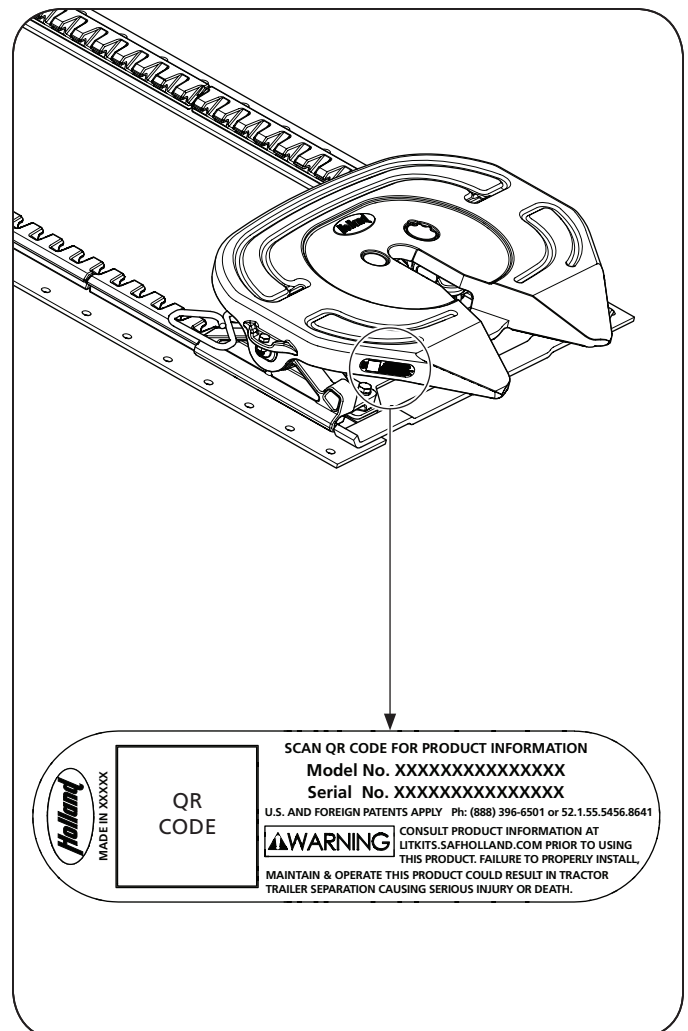
Select Downloads, then Literature, and enter "XL-MP10004CF" into the Search bar

Claims Form: XL-MP10004CF

**Figure 5**



**Figure 6**



**This Page Intentionally Left Blank**



From fifth wheel rebuild kits to suspension bushing repair kits, SAF-HOLLAND Original Parts are the same quality components used in the original component assembly.

SAF-HOLLAND Original Parts are tested and designed to provide maximum performance and durability. Will-fits, look-alikes or, worse yet, counterfeit parts will only limit the performance potential and could possibly void SAF-HOLLAND's warranty. Always be sure to spec

SAF-HOLLAND Original Parts when servicing your SAF-HOLLAND product.

**SAF-HOLLAND USA • 888.396.6501 • Fax 800.356.3929**  
[www.safholland.us](http://www.safholland.us)

**SAF-HOLLAND CANADA • 519.537.3494 • Fax 800.565.7753**  
**WESTERN CANADA • 604.574.7491 • Fax 604.574.0244**  
[www.safholland.ca](http://www.safholland.ca)

**SAF-HOLLAND MEXICO • 55.55.5362.8743 • Fax 52.55.5362.8743**  
[www.safholland.com.mx](http://www.safholland.com.mx)

[info@safholland.com](mailto:info@safholland.com)